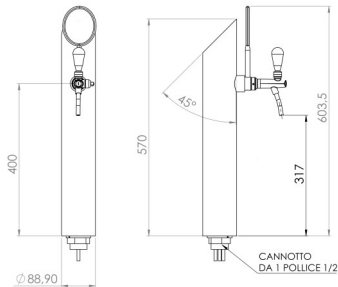


# TEBS DRAFT

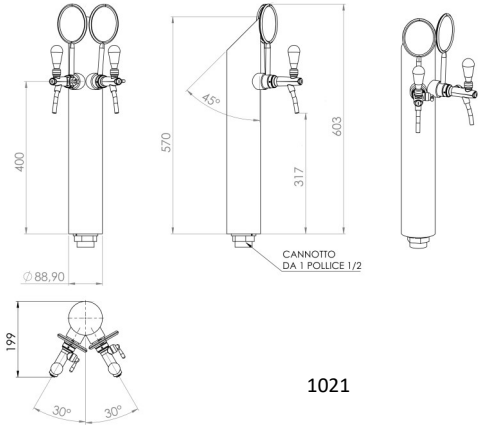
*"Draft is passion"*

## COLONNA VICTORY

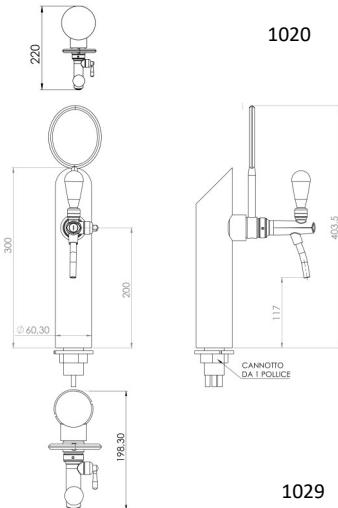
CODICE	MODELLO	DIMENSIONI
1020	Tower Victory 1via	H.570 D.889
1021	Tower Victory 2vie	H.570 D.889
1023	Tower Victory 3vie	H.570 D.889
1025	Tower Victory +PP A 1vie	H.570 D.889
1029	Tower Mini Victory 1vie	H.300 D.603



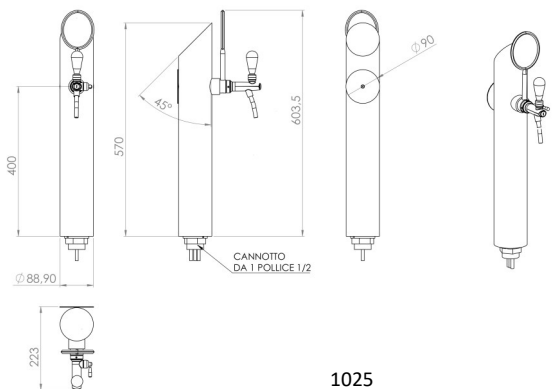
1020



1021



1029



1025

TEBS DRAFT SRL  
 DISTRIBUTION EQUIPMENT DISPENSING  
 Sede operativa: Via Cimabue, 16 – 20842 Montesiro di Besana in Brianza (MB)  
 Numero verde: 800301335 Cell. 347/4187356  
 Mail: [info@tebsdraft.com](mailto:info@tebsdraft.com) Sito: [www.tebsdraft.it](http://www.tebsdraft.it)  
 P.IVA/C.F.: 10180570961